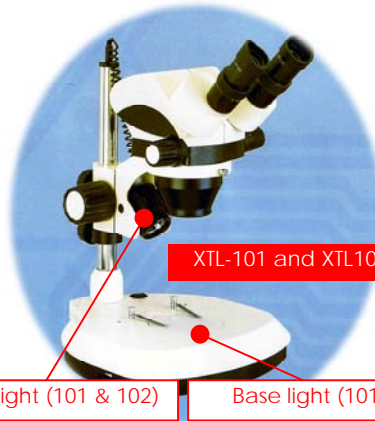


# GX Microscopes

## product datasheet

### XTL-101/2/3 Series

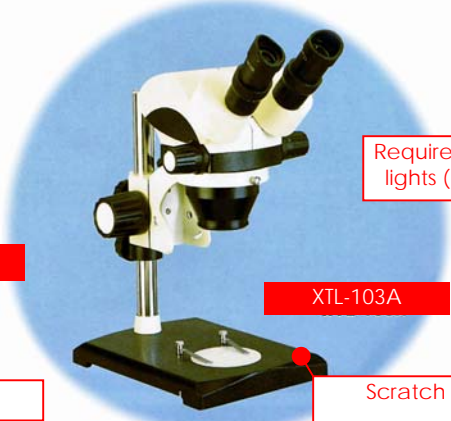
### Stereo Zoom Microscopes



XTL-101 and XTL102

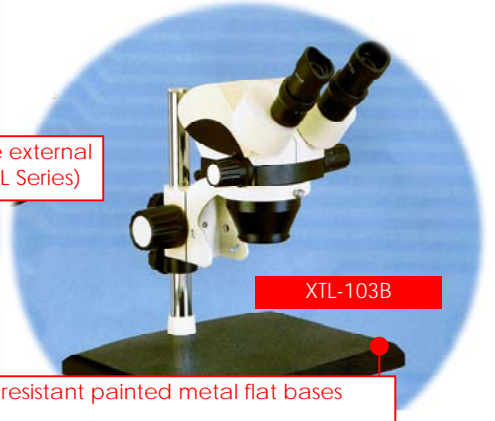
Top light (101 & 102)

Base light (101)



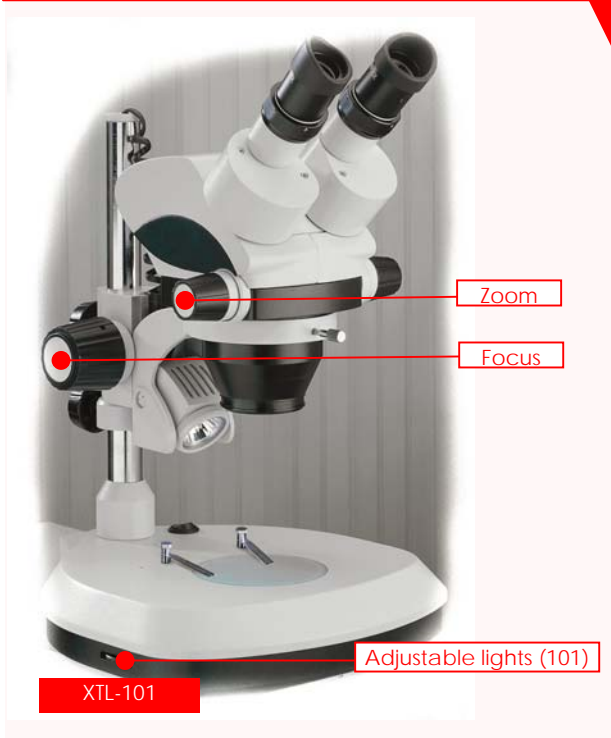
XTL-103A

Require external lights (L Series)



XTL-103B

Scratch resistant painted metal flat bases



Zoom

Focus

Adjustable lights (101)

XTL-101



Optional higher power eyepieces



C-mount camera adaptors (for 'T' versions)



Extra magnification ranges with screw-on auxiliary objectives

### Representing the very latest design in stereo microscopy.

The XTL - 101, 102 and 103 microscopes provide the highest quality stereo imaging at exceptionally low prices. These ergonomic microscopes include high quality objectives whose clarity and brightness produce outstanding results. They include a zoom range encompassing 0.7x - 4.2x magnifications. With the standard 10x widefield eyepieces this gives a total magnification range of 7X - 42X. This range can be enhanced with optional auxiliary objectives and different eyepieces to give a total range spanning 3.5X - 210X. The microscope is equipped with conveniently positioned zoom and focus control knobs. On the XTL-101 models illumination is integrated into the base and head providing both incident and transmitted light making this microscope a versatile tool for all types of biological and materials studies.

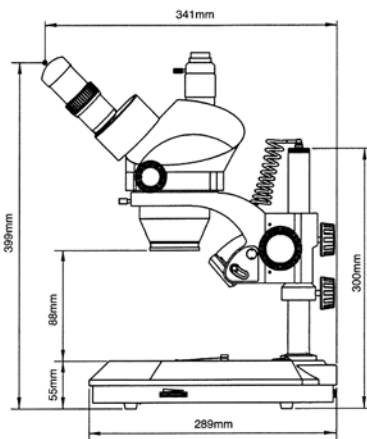
The XTL-102 models include incident illumination only and the XTL-103 models are equipped with flat bases suitable for robust industrial materials inspection and require external illumination sources such as GX Microscope's L Series.

This series of microscopes can be supplied with a very wide range of accessories including cameras, stands, illumination systems and even digital depth probes.

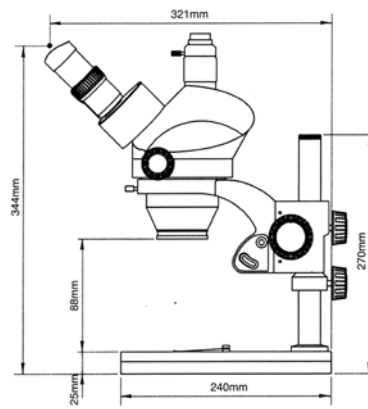
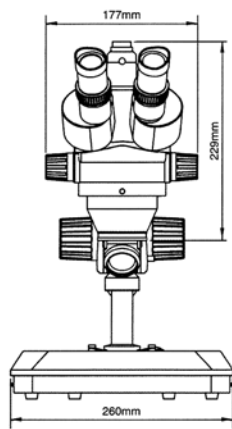


XTL-101T on V7 stand

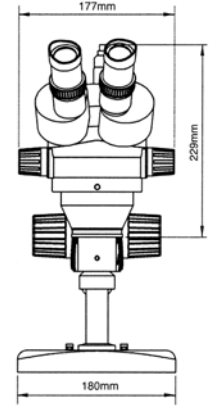
Specifications	Model:	XTL-101	XTL-101T	XTL-102	XTL-102T	XTL-103	XTL-103T
<b>Zoom Magnification</b>	Graduated continuous zoom control knob 7X – 42X with standard 10X WF eyepieces						
<b>Head</b> 45 deg inclined binoculars. Rotatable through 360 degrees	Eyepieces (Std)	10X Widefield/20mm					
	Working Distance	88mm as standard with no auxiliary objective fitted					
	Type	Binocular	Trinocular	Binocular	Trinocular	Binocular	Trinocular
	Eyepiece tube	Diopter settings on both eyepieces. Adjustable interocular distance					
	Camera port Requires specific camera adapter	None	Adjustable parfocality	None	Adjustable parfocality	None	Adjustable parfocality
<b>Focusing Ring Mount</b>	Head support ring	Inner diameter 83 mm					
	Focus	High precision rack and pinion mechanism					
	Integral incident light	Adjustable intensity Adjustable angle halogen spot				None, requires GX Microscopes L-Series illuminator	
<b>Support Pillar</b>	Polished high grade steel	Height adjustment locking clamp Power socket for incident lamp allowing easy head removal 24.5cm height (plus base height)					
<b>Base</b>		Adjustable intensity halogen illumination on XTL-101 versions only Opaque white insert (92mm diam) Base dimensions (working surface): W26cm(23cm) x D30cm(20cm) x H57mm				Available in 2 versions with no base illumination. Made of tough, scratch resistant painted steel: <b>103(T)A</b> : 240 x 148mm with white insert and specimen clips. <b>103(T)B</b> : 300 x 240mm large base.	
<b>Power</b>	Separate power adaptor	Mains 110/220V input DC output				None	
<b>Accessories</b>	See accessories section						



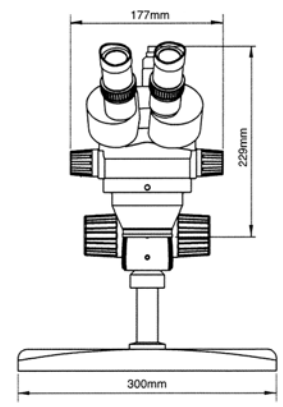
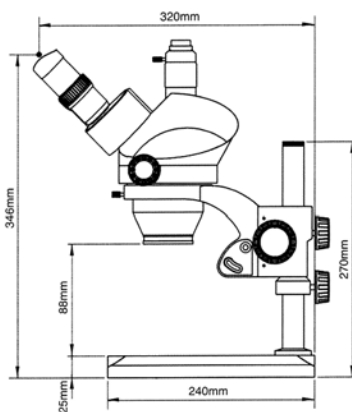
XTL-101T and XTL-102T



XTL-103AT



Options for use with Long Reach Stands for larger specimen examination		
Model:	Binocular Head Only:	Trinocular (T) Head Only
Part Number	XTL101-BHEAD	XTL101-THEAD
Requires Focussing Ring	XTL-101FR	
Requires Stand	V1, V2, V3, V6 or V7	
Requires Illumination	Fibre Optics: L1 lamphouse with L1 or L2 or L4 Fluorescent ring light: RFL-8	



XTL-103BT

# GX Microscopes

## XTL-101/2/3 Series Accessories

### Specification of auxiliary objectives and eyepieces – XTL-101/2/3

Eyepiece\Objective		Main body	0.5X objective	0.75X objective	1.5X objective	2X objective
		0.7x-4.2x	0.35x-2.10x	0.49x-3.15x	1.05x-6.3x	1.4x-8.4x
10x (std)	Total magnification	7x-42x	3.5x-21x	5.3x-31.5x	10.6x-63x	14x-84x
	Diameter of visual field(mm)	31-5.2	62x-9.6x	38-6.4	19-3.2	14.3-2.4
15x	Total magnification	10.5x-63x	5.3x-31.5x	7.9x-47.5x	15.8x-94.6x	21x-126x
	Diameter of visual field(mm)	21.4-3.6	42.8-7.2	28.5-4.8	14.2-2.4	10.7-1.8
20x	Total magnification	14x-84x	7x-42x	10.6x-33x	21.2x-126x	28x-168x
	Diameter of visual field(mm)	17.1-2.9	34.3-5.7	22.9-3.8	11.4-1.9	8.6-1.4
25x	Total magnification	17.5x-105x	8.8x-52.5x	13.1x-78.8x	26.3x-157.5x	35x-210x
	Diameter of visual field(mm)	12.9-2.1	25.7-4	17.1-2.9	8.6-1.4	6.4-1.1
Working Distance(mm)		88	137	103	48	25



**Auxiliary Objectives**  
See above



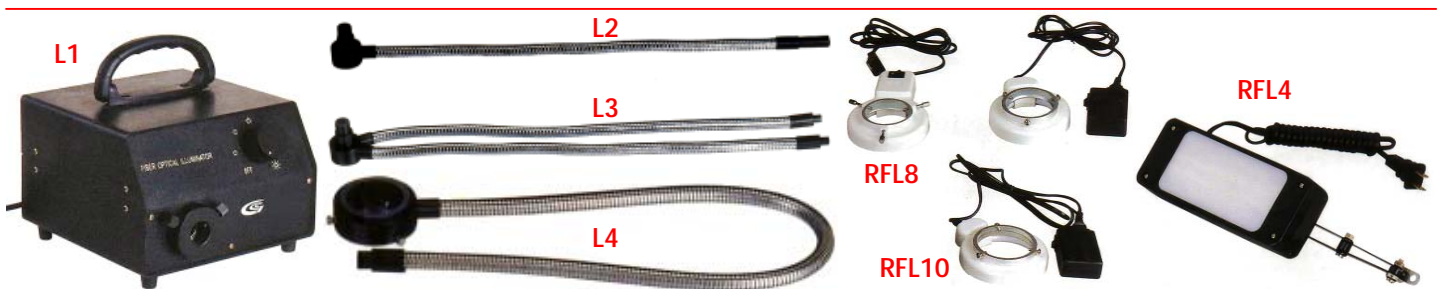
**CCTV and Photo Adaptors**  
C-mount camera adaptor



**Widefield Eyepieces**  
See above



**Darkfield Attachment and Gem Holder**  
DF – Darkfield  
GH – Gem Holder



**Additional Illumination Options - L Series**



**Additional Stand Options – V Series**